



RIG 801

1,800 hp AC Triple Mast Walking Drilling

SUBSTRUCTURE

Swing Up - 3 piece Center Section with Rig Runner™ integrated walking System
Floor Height: 31'-0" (9.45m)

Clear Height (beneath rotary beams): 27'-0" (8.23m)
Rotary Capacity: 850,000 lbs (386 Metric Tons)
Max Pipe Setback: 750,000 lbs (340 Metric Tons)

Note: All floor heights are based on the substructure sitting on 6" Mats

MAST

142' (43.3m) Triple Mast – Designed to meet API 4F 4th Edition
500 Ton Top Drive Integrated into Center Section for Transport
Static Hook Load (12 Lines): 850,000 lbs (386 Metric Tons)
Drill Line: 1-3/8" (34.9mm); **Offline stand building capability**
Racking Capacity: 30,000' of 5" DP (9,144m of 127mm DP)
27,250' of 5-1/2" DP (8,306m of 140mm DP)

TOP DRIVE

Bentec TD-500-XT AC 500 Ton (456 Metric Tons)
Max Speed: 220 rpm; Hoist Capacity: 1,000,000 lbs (454 Metric Tons)
Continuous Drill Torque: 52,000 ft-lb (70,580 N-m)
Torque Capacity: 75,000 ft-lb (101,700 N-m); Soft Torque on request
Drill Pipe Range: 2-1/2" (63mm) to 8-1/2" (216mm)
Max Drilling Fluid Pressure: **7,500 psi (35,000 kPa)**

DRAWWORKS

IDS 1800 AC gear-driven 880,000 lbs (399 Metric Tons) w/ 12 lines
Rated Power: **1,800 hp continuous; 2,250 hp intermittent**
Input Power: 1,800 hp (1,342 KW) AC Traction motor
Lebus Drum Groove: 1-3/8" (34.9mm)
Parking / Emergency Brake: Wichita 336 SSB
Fail-safe, spring-set brake; VFD Blower Control for quiet operations

IRON ROUGHNECK

Bentec Iron Roughneck model IR-100-8-B
Diameter Range: 2-7/8" (73 mm) to 9-3/4" (248 mm)
Spin Speed: 100 RPM - max on 5" (127 mm) Drill Pipe
Spin Torque: 3,000 ft-lbs (4,070 Nm); Reach: 8ft (2,438mm)
Maximum Make-Up Torque: 100,000 ft-lbs (136,600 Nm)
Maximum Break-Out Torque: 120,000 ft-lbs (162,700 Nm)

CATWALK

North Rig C26 Hydraulic Catwalk w/ Skate and elevating trough
Tubular max length: 45 feet (13.7m) Range III
Max OD: 20" (508 mm) Max Weight: 10,000 lbs (4,536 kg)
Max Pipe Rack Load: 30,000 lbs (13,608 kg) Cycle Time: 42 sec.

ROTARY TABLE

National Type 375 37-1/2" (953 mm)
Static Hookload 650 Tons (590 Metric Tons)
Hydraulic drive for positioning tools only; Max Speed: 20 rpm

GENERATOR PACKAGE

Four Kato 1,225 kW (1,642 hp) @ 1,200 rpm, 600V generators
Coupled to Caterpillar 3512E diesel driver
Engine Power 1,101 kW (1,476 hp)
VFD Fan Control for quiet operation

Sound attenuated buildings for low noise compliance areas

DRIVE HOUSE BACKYARD

IDC Twin Vertical A/C units MCC Step-Up Transformer
Generator Bays; Self-syncing generator controls

DRIVE HOUSE RIG FLOOR

IDC Wall mount A/C unit, MCC Drawworks and Top Drive Controls
Step-Down Transformer; Driller Cabin Power Control

POWER SUPPLY FROM BACK YARD TO RIG FLOOR

IDC Safety Integration: Kirk Key System
ReelRig® Twin Reel Cable System with 250 ft (76 m) of cable
Twin lines lay in linebackers on the ground, no overhead bulk wiring

DRILLER CABIN

IDC Controls: Four HMI touch screen / Joystick console panels
Dual-Position running option for conventional or DS catwalk option
Dual-Function console with height change adjust for Driller comfort

BOP (NACE Standards)

CTI 13-5/8" (346 mm) x 5,000 psi (34,475 kPa) WP Spherical Annular
CTI 13-5/8" (346 mm) x 10,000 psi (68,950 kPa) WP Hydraulic Double Ram
CTI 13-5/8" (346 mm) x 10,000 psi (68,950 kPa) WP Hydraulic Single Ram
CTI 13-5/8" (346 mm) x 10,000 psi (68,950 kPa) WP HEC Drilling Spool
BOP Handling System-50 Tons; BOP transport skid w/ hyd actuated stand
Note: Alternate BOP Sizes are available

CHOKES MANIFOLD

Total Oilfield Equipment
4-1/16" (103 mm) x 10,000 psi (68,950 kPa) Manual Gate Valve
4-1/16" (103 mm) x 10,000 psi (68,950 kPa) Hydraulic Choke: HCR Gate Valve
4-1/16" (103 mm) x 10,000 psi (68,950 kPa) Check Valve
Closing Unit: Meyer 6 station: 400-gallon tank; Class 1 Division 1 rating
2 button operated safety system to open or close

MUD PUMPS (3)

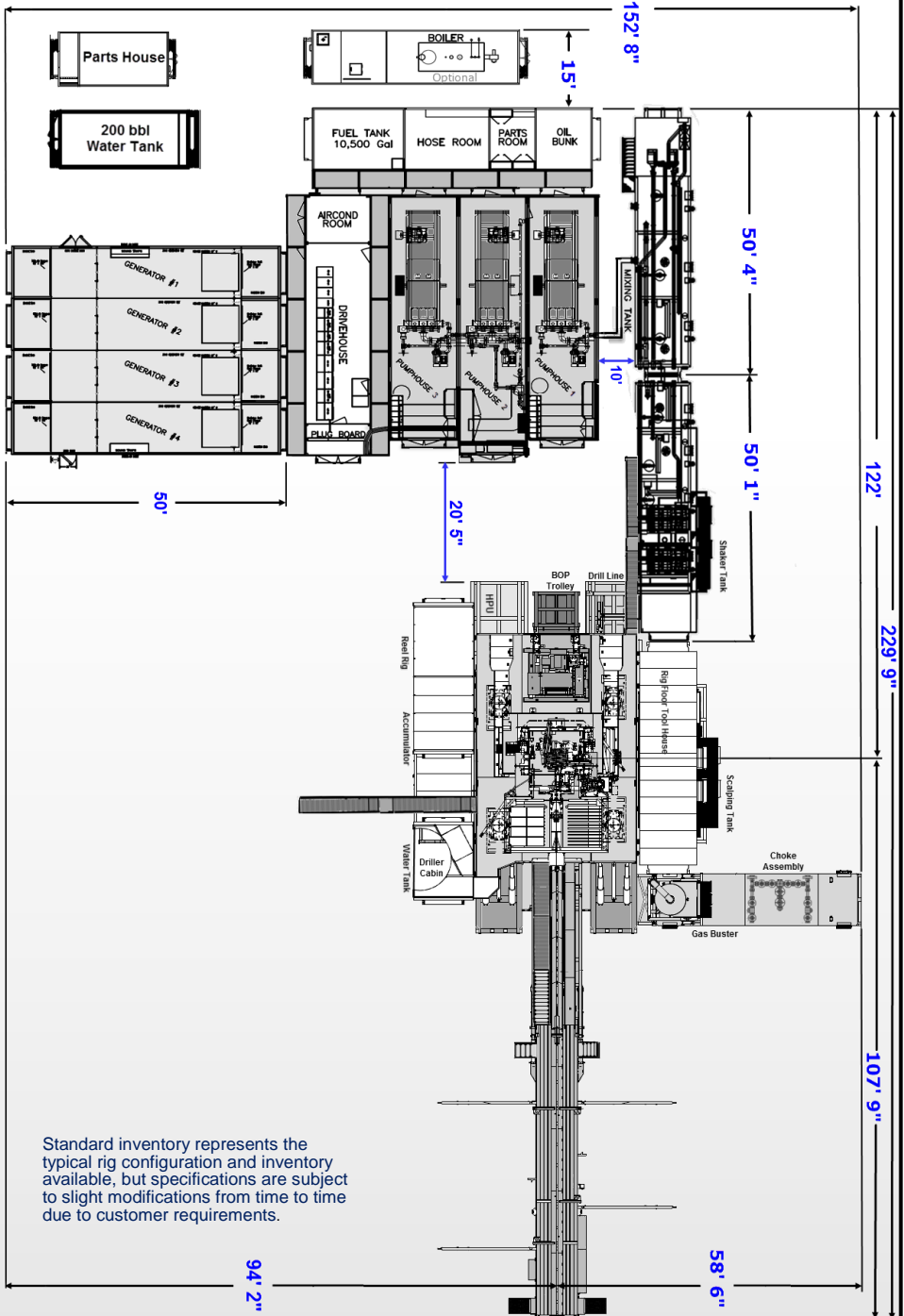
Three EmSCO Style 1600 Triplex Mud Pump; Manufacture: HH F1600
Horsepower rating @ 120 SPM: 1,500 hp; Max Liner Size: 7" (178 mm)
Stroke: 12" (305 mm); Input Power: (1) 1,500 hp Joliet AC motor
Max Pressure Rating: **7,500 psi (51.7 MPa)**

DRILLING CONTROL SYSTEM

- Programmed HMI for directional tool face
- Drawworks speed control adjustment
- On-board monitoring of instrumentation, engines and on-site alarm
- 360° pan-tilt camera system in the mast and cellar
- Drilling parameter control to drill off differential, WOB or both

TUBULARS

Drill Pipe: Supplied as needed, *per availability*
Drill Collars and Heavy Weight: Supplied as needed, *per availability*



Standard inventory represents the typical rig configuration and inventory available, but specifications are subject to slight modifications from time to time due to customer requirements.

MUD TANKS

Three Tanks w/ 1,156 bbls (184 m³) Total Active Volume

SCALPING TRANSFER TANK - Active Volume: 280 bbls (45 m³)
Shale Shakers: (x2) MI SWACO Mongoose Dual Motion PRO Series
(x1) Trip Tank 80 bbls (13 m³) Capacity; (x1) Trip Pump and (x1) Sand Trap
(x1) Active compartment w/ agitator & mud gun; (x2) 60 hp mixing pumps

SETTLING TANK - Active Volume: 454 bbls (72 m³)
(x2) compartments equipped with agitators and mud guns with
(x2) MI SWACO Mongoose Dual Motion PRO series Shale Shakers

SUCTION TANK - Active Volume: 422 bbls (67 m³)
(x2) active compartments and pill tank that can be used as active volume
All compartments are equipped w/ agitators & mud guns; (x2) 60 hp mixing pumps
(x1) hopper with ventilation system

AUXILIARY BUILDINGS and EQUIPMENT

Rig Floor Tool House / Lubester; Parts House, HPU; Boiler - (x1) 125 hp
Pipe Racks (x2) sets of pipe racks and (x2) sets of finger racks
Rig Manager Trailer - One 14' x 44' (4.3m x 13.4m) Skid mounted
Fuel Tank - (x1) 10,500 Gallons (39,750 liters) with (x2) 5 hp fuel pumps
Water Tanks - (x2) 200 bbls (24m³) Tanks with dual 10 hp water pumps

All ratings quoted herein are manufacture specifications. AKITA's normal operating parameters are 90% of manufactures mast rating and 80% of mud pump manufacturer pressure rating. Operation of rig equipment beyond these parameters requires approval from AKITA field office management.